

MF1-R-TTL-PCB

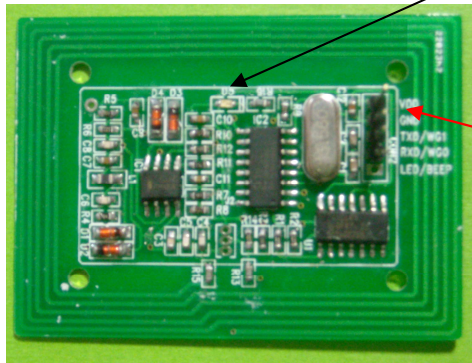
Mifare ISO14443A RFID reader PCB Module
with UART TTL interface

FEATURES

- Support Mifare ISO14443A (S50 , S70 , ultra light & Mifare plus etc..)
- Read UID only
- Built-in transceiver antenna
- Reading range up to 3-4 cm
- Less than 100 ms decoding time
- Power supply : 5V DC +/-10%
- Low power dissipation with single power supply
- Output interface : UART TTL

PCB SIZE : (40x55) mm

Pin Assignment



LED indicator

Pin	RS232 (UART TTL level)
1	Vcc 5V DC (+/- 5%)
2	GND
3	TTL serial Data out
4	NC

Data Format

Baud Rate: 9600, N, 8, 1

STX (Start String)	Card data	Checksum	ETX (End String)
(1 byte) 0x55	(4 Byte Hex)	(1 Byte Hex)	(1 byte) 0xAA

Checksum = XOR Card Data (Total 4 Byte)