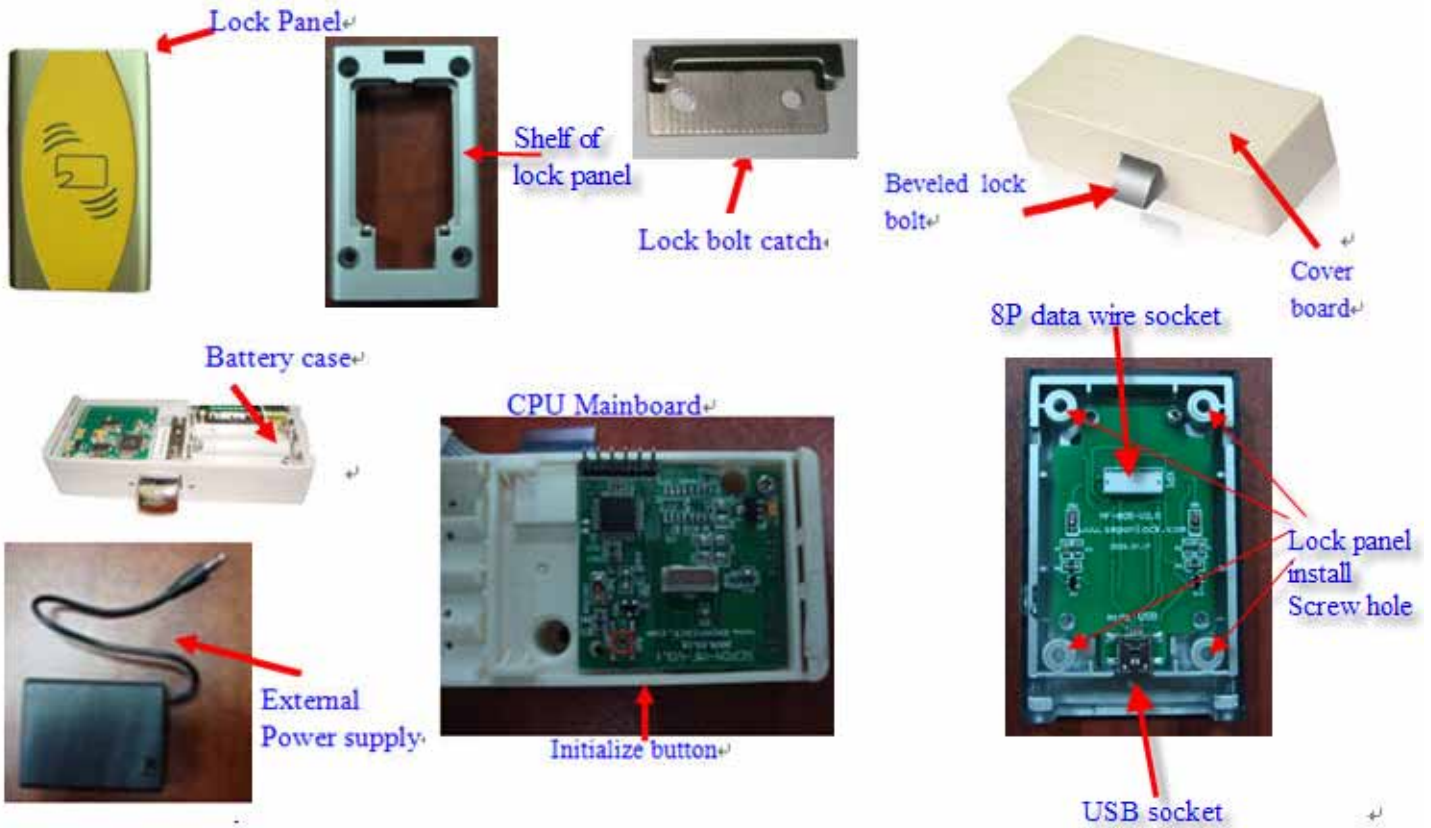


MF1-Lock-V1 Installation Manual

Product introduce

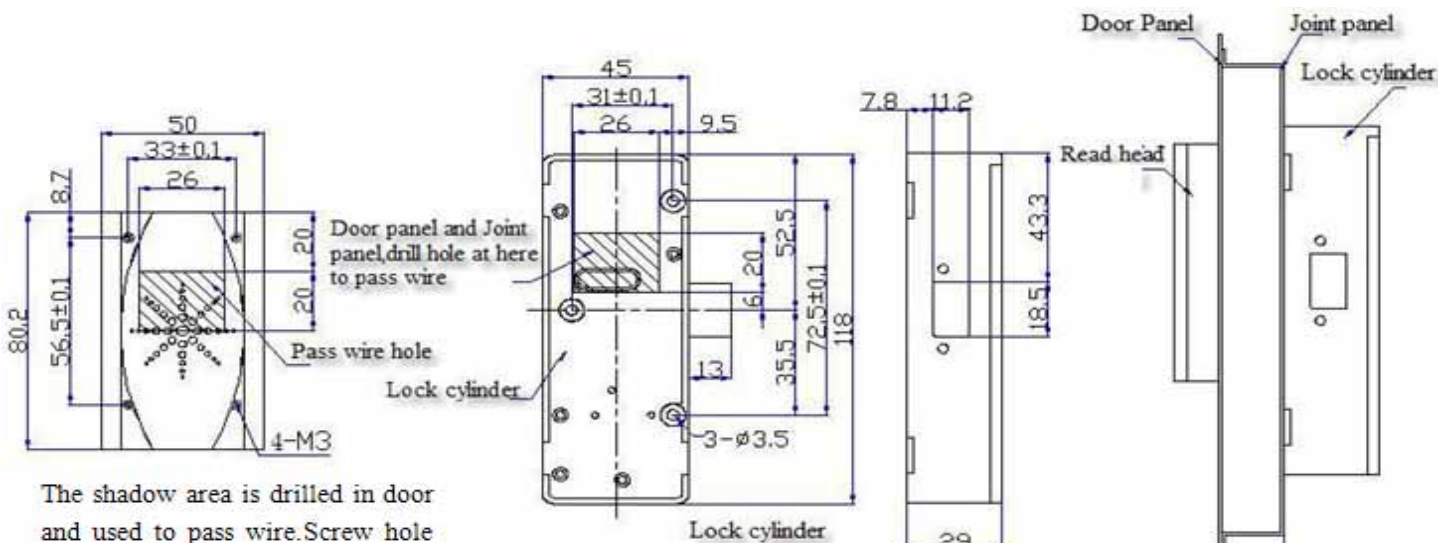
Electronic cabinet lock can install on wood door, also can install in metal door, and suit for various office appliances.

Appearance



Screw hole size:

As this diagram to drill screw hole in cabinet.

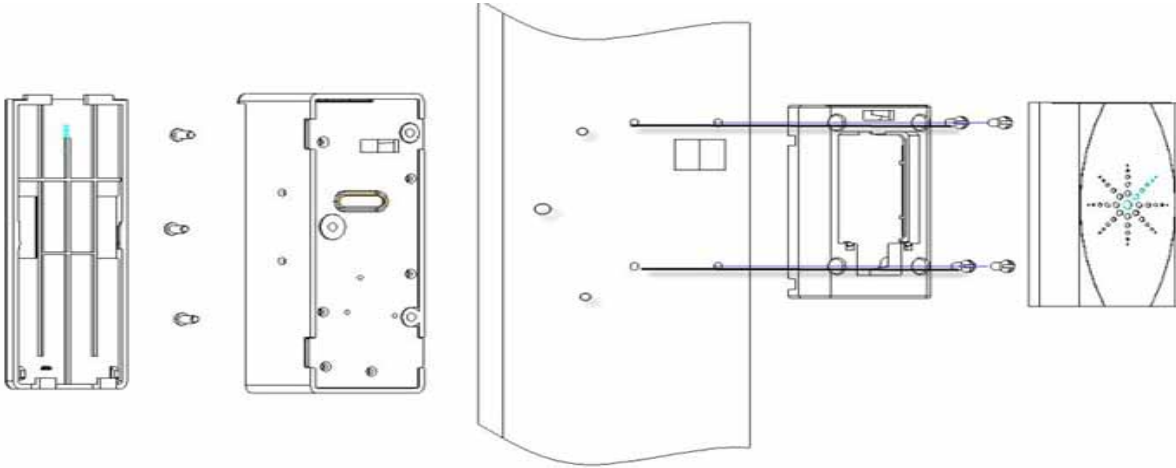


The shadow area is drilled in door and used to pass wire. Screw hole is 4 pcs M3 screw holes.

There are 3 pcs M3 screw holes, 1 big hole (Pass wire hole); In door panel there is 4 pcs M3 screw holes.

Install process

Install size view

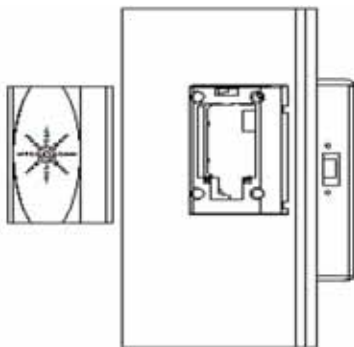


Install process diagram



Step 1: Use screw to fix lock cylinder into the back of door. The 8P wire of lock cylinder across the wire hole of door, and connect it to the 8P wire socket of lock panel

Step 2: Fix the lock panel into screw hole of door by screw.



Step 3: Put the cover of lock panel on shelf of lock panel



Pass 8P wire

Install lock cylinder

Connect 8P wire



Connect 8P wire

Connect 8P wire

Install lock panel

